



# Synthesis and characterisation of peroxydic acids as proxies for highly oxygenated molecules (HOMs) in secondary organic aerosol

Sarah S. Steimer<sup>1</sup>, Aurélie Delvaux<sup>1</sup>, Steven J. Campbell<sup>1</sup>, Peter J. Gallimore<sup>1</sup>, Peter Grice<sup>1</sup>, Duncan J. Howe<sup>1</sup>, Dominik Pitton<sup>2</sup>, Magda Claeys<sup>3</sup>, Thorsten Hoffmann<sup>2</sup>, and Markus Kalberer<sup>1</sup>

<sup>1</sup>Department of Chemistry, University of Cambridge, Cambridge, CB2 1EW, UK

<sup>2</sup>Institute of Inorganic and Analytical Chemistry, University of Mainz, 55128 Mainz, Germany

<sup>3</sup>Department of Pharmaceutical Sciences, University of Antwerp, 2610 Antwerp, Belgium

**Correspondence:** Sarah S. Steimer (ss2349@cam.ac.uk) and Markus Kalberer (markus.kalberer@atm.ch.cam.ac.uk)

Received: 18 December 2017 – Discussion started: 8 January 2018

Revised: 5 July 2018 – Accepted: 6 July 2018 – Published: 6 August 2018

**Abstract.** Peroxy acids were recently found to be involved in new particle formation in the atmosphere and could also substantially contribute towards particle toxicity. However, a lack of suitable analytical methods for the detection and characterisation of peroxy acids in the particle phase is currently hindering the quantitative investigation of their contribution to these important atmospheric processes. Further development of appropriate techniques and relevant standards is therefore urgently needed. In this study, we synthesised three peroxydic acids, developed a liquid chromatography separation method and characterised them with tandem mass spectrometry. The observed fragmentation patterns clearly distinguish the different peroxydic acids from both the acid and each other, showing several neutral losses previously already observed for other peroxy acids. Both monoperoxydic acids were found to be present in secondary organic aerosol generated from ozonolysis of  $\alpha$ -pinene in laboratory experiments. The yield of monoperoxydic acid formation was not influenced by humidity. Monoperoxydic acid quickly degrades on the filter, with about 60% lost within the first 5 h. This fast degradation shows that time delays in traditional off-line analysis will likely lead to severe underestimates of peroxy compound concentrations in ambient particles.

## 1 Introduction

In recent years, organic peroxy compounds have emerged as important particle-phase constituents of secondary organic aerosol (SOA). They are discussed as components of a family of compounds denoted as highly oxygenated molecules (HOMs), important in new particle formation (Ehn et al., 2014; Rissanen et al., 2015), and they could be involved in particle toxicity due to their oxidising properties, contributing to overall particle-bound reactive oxygen species (ROS) concentrations (Arashiro et al., 2018; Jiang et al., 2017). Multiple studies have shown that exposure to atmospheric aerosols is correlated with a wide variety of negative health outcomes (Brunekreef and Holgate, 2002; Dockery et al., 1993; Hoek et al., 2013; Nel, 2005). While it is not yet known which particle constituents are the main cause of particle toxicity, ROS, which summarises various oxygen-containing species with strong oxidative capacities, are implicated as a potential main contributor (Dellinger et al., 2001; Li et al., 2003; Tao et al., 2003).

In addition, it was recently shown that HOMs, which are suggested to form through autoxidation in the gas phase, are highly relevant for the initial stages of SOA formation (Ehn et al., 2014; Rissanen et al., 2014). Many studies state that HOMs have O:C ratios of  $\geq 0.7$  (Mentel et al., 2015; Mutzel et al., 2015). There is no generally accepted definition of HOMs, but they typically contain multiple hydroperoxy and/or peroxy acid groups (Mentel et al., 2015; Rissanen et al., 2015).

Therefore, the characterisation and quantification of peroxy compounds in the particle phase has become an im-

portant issue. However, there is currently a lack of suitable analytical methods, which is exacerbated by the lack of appropriate standards for method development and validation. One subgroup of peroxy compounds are peroxy acids, which, apart from their relevance for atmospheric chemistry, are widely used as chemical reagents, disinfectants and bleaching agents (Holah et al., 1990; Luukkonen and Pehkonen, 2017; Milne, 1998; Ramirez, 2008; Reinhardt and Borchers, 2009). Due to their widespread practical applications, several methods have been developed both for the quantification of the overall peracid content (Davies and Deary, 1988; Greenspan and MacKellar, 1948) and for the separation and detection of specific peracids (Cairns et al., 1975; Effkemann et al., 1998; Kirk et al., 1992). These methods use relatively unspecific detectors such as flame ionisation, electrochemical and UV–VIS detectors. This poses a problem for the analysis of ambient particles, as they can contain several thousands of organic species, demonstrating the need for authentic standards. Mass spectrometry, particularly when coupled with chromatography, provides a method to characterise and identify specific compounds. Recently, several studies have utilised mass spectrometry to analyse different types of organic peroxy compounds with potential atmospheric relevance (Witkowski and Gierczak, 2013; Zhao et al., 2018; Zhou et al., 2018; Ziemann, 2003). However, to our best knowledge no such studies exist for peroxy acids. In a previous paper, we synthesised one cyclic and several linear aliphatic peroxy acids and showed their separation and detection with liquid chromatography–tandem mass spectrometry (HPLC-MS/MS) (Steimer et al., 2017). This study revealed that all investigated peroxy acids show common and specific mass spectrometry fragmentation patterns, which could be used as diagnostics to identify unknown peroxy acids in complex organic mixtures. However, as all structures synthesised in Steimer et al. (2017) are likely not prominent in secondary organic aerosol, we expand in this study the characterisation of peroxy acids towards structures that are likely present in atmospheric SOA particles. Monoperoxy-pinic acids have been suggested as potential products of  $\alpha$ -pinene and  $\beta$ -pinene ozonolysis (Docherty et al., 2005) and have been tentatively identified in  $\alpha$ -pinene and  $\beta$ -pinene SOA using online MS/MS (Reinng et al., 2009; Zhou et al., 2018). They are suggested to form in the gas phase via HO<sub>2</sub> chemistry (Docherty et al., 2005). In this study, we have synthesised three peroxy-pinic acids, identified their structure via their MS/MS and NMR (nuclear magnetic resonance) spectra and investigated their presence and stability in  $\alpha$ -pinene SOA generated in laboratory experiments under varying conditions. The structural similarity of these peroxy acids to HOMs (present in a wide range of SOA particles) makes them ideal and unique proxies and surrogate standards for future studies aiming to quantify the role of HOMs in organic aerosols.

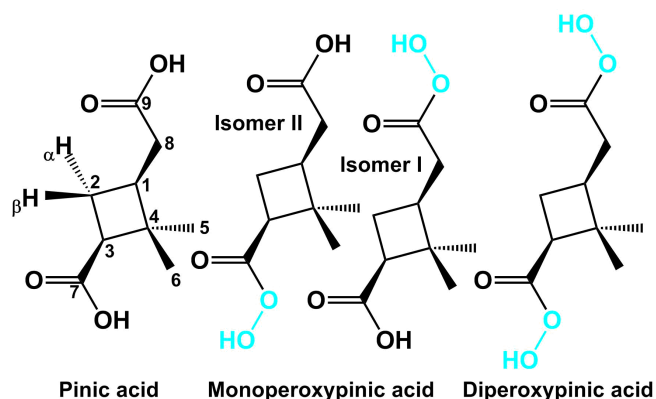
## 2 Experimental section

### 2.1 Chemicals and synthesis

Sulfuric acid (H<sub>2</sub>SO<sub>4</sub>, 95–98 %), hydrogen peroxide (H<sub>2</sub>O<sub>2</sub>, 50 %, stabilised),  $\alpha$ -pinene (C<sub>10</sub>H<sub>16</sub>,  $\geq 98$  %), *cis*-pinonic acid, bromine, dioxane, diethyl ether and hydrochloric acid were bought from Sigma-Aldrich. D(+)-Camphoric acid (C<sub>10</sub>H<sub>16</sub>O<sub>4</sub>,  $\geq 99$  %) was purchased from Acros Organics. Dichloromethane was bought from Carl Roth GmbH & Co. KG, sodium sulfate was supplied by Acros, sodium hydroxide was purchased from Merck and charcoal pellets were provided by Fluka. Water, formic acid (0.1 % in water) and acetonitrile, all in OPTIMA<sup>®</sup> LC/MS grade, were purchased from Fisher Scientific.

*cis*-Pinic acid was synthesised using a similar procedure as described by Moglioni et al. (2000). A total of 2.8 g *cis*-pinonic acid was dissolved in 50 mL dioxane; 8.2 g sodium hydroxide was dissolved in 196 mL water and loaded with 7.5 g bromine (0 °C). The prepared sodium hydrobromite solution was added dropwise to the pinonic acid solution (30 min, –15 °C). After 2 h of stirring at 0 °C and overnight (approx. 16 h) at room temperature, the resulting solution was extracted 3 times each with 20 mL dichloromethane. A total of 60 mL of a 40 % sodium hydrogensulfate solution, prepared by dissolving sodium sulfate in water, was added to the water phase. The pH was set to 1 using hydrochloric acid. This solution was extracted 5 times using 5 × 40 mL diethyl ether. The collected ethereal phases were dried using 1 g sodium sulfate. After filtration and evaporation, the slightly yellow powder was purified by dissolving it in 2 mL diethyl ether and addition of 5 pellets of charcoal. After subsequent filtration followed by evaporation, the yield of *cis*-pinic acid was estimated to be 2.5 g (88 %) with a purity of 96 % regarding the educt. To confirm the identity of the synthesised compound <sup>1</sup>H, <sup>13</sup>C, DEPT, COSY, HSQC and HMBC NMR spectra were collected using residual CHD<sub>2</sub>CN as the internal standard. *cis*-Pinic acid: <sup>1</sup>H NMR (CD<sub>3</sub>CN, 500 MHz)  $\delta_{\text{H}}$  0.94 (*s*, 3H, H5), 1.20 (*s*, 3H, H6), 1.82 (*m*, 1H, H2 $_{\alpha}$ ), 2.03 (*m*, 1H, H2 $_{\beta}$ ), 2.3 (*m*, 3H, H1, H8), 2.74 (dd, *J* = 10.3 Hz, *J'* = 7.9 Hz, 1H, H3). <sup>13</sup>C NMR (CD<sub>3</sub>CN, 125.75 MHz)  $\delta_{\text{C}}$  17.8 (C5), 25.2 (C2), 30.0 (C6), 35.2 (C8), 38.9 (C1), 42.9 (C4), 46.4 (C3), 174.2 (C7), 174.4 (C9). A full overview of all NMR spectra used for the assignment is given in Figs. S1–S6 in the Supplement.

A mixture of diperoxy-pinic acid (C<sub>9</sub>H<sub>14</sub>O<sub>6</sub>) and two different monoperoxy-pinic acids (C<sub>9</sub>H<sub>14</sub>O<sub>5</sub>) was synthesised from pinic acid (C<sub>9</sub>H<sub>14</sub>O<sub>4</sub>) using a procedure adapted from Parker et al. (1957), who describe the synthesis of various aliphatic diperoxy acids. The structures of the synthesised compounds are shown in Fig. 1. For the synthesis, 10 mg of pinic acid was dissolved in 22  $\mu$ L of concentrated sulfuric acid and the resulting solution was cooled to 10–15 °C in an ice water bath. Under constant stirring, 13  $\mu$ L of 50 % H<sub>2</sub>O<sub>2</sub> was slowly added dropwise to the solution.



**Figure 1.** Structures of *cis*-pinic acid and its peroxy acid derivatives synthesised and characterised in this study.

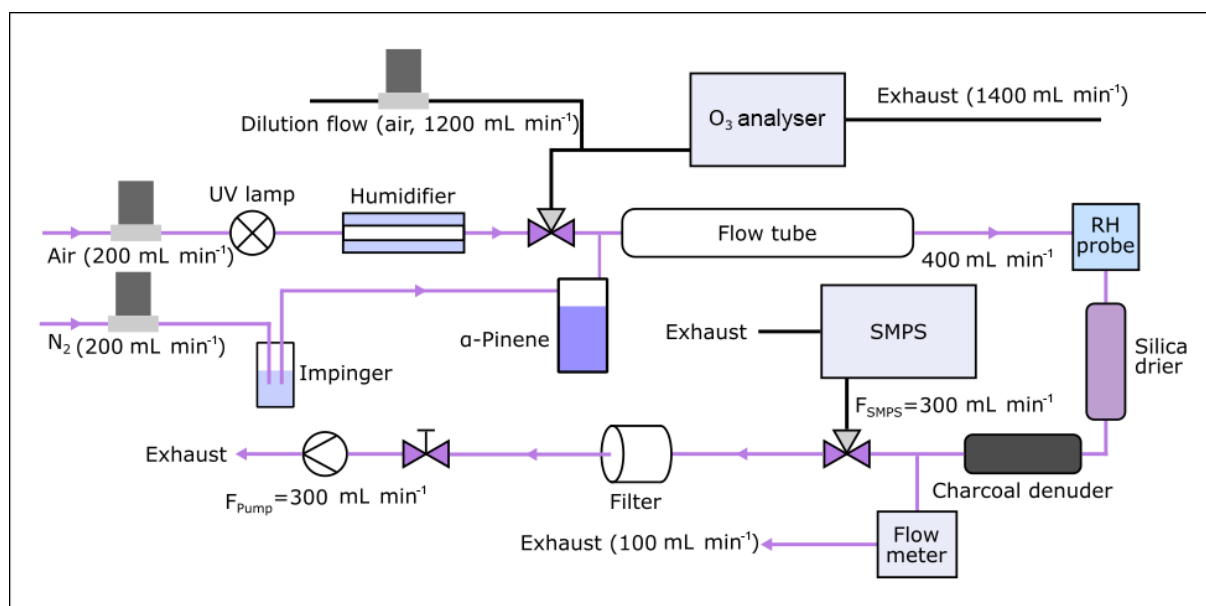
After 180 min reaction time, 100  $\mu\text{L}$  of ammonium sulfate solution (350  $\text{mg mL}^{-1}$ , 4  $^{\circ}\text{C}$ ) was added to the product solution. Since no precipitate was formed, the solution was mixed with 0.5 mL 20 : 80 water : acetonitrile and stored in a freezer ( $-22^{\circ}\text{C}$ ) until further analysis. The product solution consists of two phases, of which the upper one (acetonitrile phase) was used for analysis. To confirm the identity of the synthesised products, the monoperoxy-pinic acid and dipheroxy-pinic acid fraction of the chromatographic separation were collected 4-times each and the 2 resulting solutions were dried at 30  $^{\circ}\text{C}$  under a steady flow of nitrogen and then dissolved in deuterated acetonitrile for subsequent NMR measurements. The NMR spectra of the monoperoxy-pinic acid fraction confirm that both monoperoxy-pinic acid isomers are present. However, they are not stable under the present conditions and have largely already reacted back to pinic acid by the time of the first measurement. Additional spectra taken several hours after the first one show a continuing decay into pinic acid. The NMR spectra of the dipheroxy-pinic acid fraction are initially dominated by dipheroxy-pinic acid, although both monoperoxy-pinic acid isomers and pinic acid are also present. Spectra taken several hours after the initial measurement show a marked increase in pinic acid and both monoperoxy-pinic acid isomers as dipheroxy-pinic acid decays further. A more detailed discussion of the NMR results and corresponding figures (Figs. S7–S17) can be found in the Supplement.

## 2.2 Flow tube experiments

An aerosol flow tube (2.5 L) was used to produce  $\alpha$ -pinene SOA. An overview of the set-up for sampling under humid conditions is shown in Fig. 2. Ozone ( $\text{O}_3$ ) was produced by irradiating a flow of synthetic air (200  $\text{mL min}^{-1}$ ) with a UV lamp (185/254 nm, Appleton Woods<sup>®</sup>). The resulting average  $\text{O}_3$  concentrations were 21–22 ppm under dry conditions and 16–19 ppm under humid conditions as some of the  $\text{O}_3$  was removed in the GORE-TEX tube of the hu-

midifier (Fig. 2). Gaseous  $\alpha$ -pinene was introduced into the flow tube by passing  $\text{N}_2$  (200  $\text{mL min}^{-1}$ ) over 500  $\mu\text{L}$  of liquid  $\alpha$ -pinene (about 340 ppm initial concentration, measured by proton transfer reaction–mass spectrometry according to the procedure described in Giorio et al., 2017), which results in a residence time of approximately 6.3 min. Under these conditions, the reaction is limited by  $\text{O}_3$ , which according to model calculations is consumed within  $\sim 20$  s under both humid and dry conditions. The lifetime of  $\text{O}_3$  and  $\alpha$ -pinene in the flow tube was estimated using the AtChem (<https://atchem.leeds.ac.uk>, last access: 6 March 2018) numerical box model alongside the Master Chemical Mechanism (MCM) v3.3.1 (<http://mcm.leeds.ac.uk>, last access: 6 March 2018) (Jenkin et al., 1997; Saunders et al., 2003). For the experiments at higher humidity ( $\sim 85\%$ ), a humidifier was added to the set-up. A scanning mobility particle sizer (SMPS) was used to monitor the concentration of produced SOA before and after sample collection. The SMPS consists of a TSI 3080 differential mobility analyser (DMA) connected to a TSI 3775 condensation particle counter (CPC). The average particle mass concentration in the flow tube was about  $5 \times 10^4 \mu\text{g m}^{-3}$ , assuming a density of  $1 \text{ g cm}^{-3}$ , with a mode of 200 nm for the number concentration. Under these conditions,  $\alpha$ -pinene partitioning to the particles is still negligible ( $<1\%$ ) and while wall partitioning could be significant, it is unlikely to directly modify the observed aerosol composition due to the lower volatility of the products. The produced  $\alpha$ -pinene SOA was collected on Durapore<sup>®</sup> membrane filters (0.1  $\mu\text{m}$  pore size, 47 mm diameter, Merck) for a sampling period of 45 min. Partitioning of  $\alpha$ -pinene followed by condensed-phase reactions on the filter might occur and could change the aerosol composition compared to lower mass loadings, although the charcoal denuder should have removed the majority of organic gases and  $\text{O}_3$ , making this less likely. After sample collection, 100  $\mu\text{L}$  of a 0.60  $\text{mg L}^{-1}$  camphoric acid solution (20 : 80  $\text{H}_2\text{O}$  : ACN) was added to each filter as an internal standard. The filters were extracted by vortexing in 1.5 mL ACN for 5 min. The extracts were then evaporated down to a volume of 300  $\mu\text{L}$  under a steady flow of nitrogen at 30  $^{\circ}\text{C}$  to minimise the time between collection and analysis. While the increased temperature might lead to thermal decomposition, this effect should be small and is likely outweighed by the reduction of the total analysis time. As a final step, 1.2 mL of 0.1 % formic acid in water was added to better match initial mobile phase conditions of the HPLC analysis.

To investigate the influence of humidity on the formation of monoperoxy-pinic acid, a total of 13 filter samples were collected: 7 under dry conditions ( $\leq 3\%$  RH – relative humidity), and 6 for  $\alpha$ -pinene oxidation at  $\sim 85\%$  RH. The average filter mass loading was 0.87 mg for the dry and 0.55 mg for the humid oxidation. All filters were extracted immediately after sampling. Three LC-MS/MS runs were conducted for each filter extract.



**Figure 2.** Flow tube set-up for oxidation under humid conditions. The pink lines show the gas and aerosol flow path during sample collection, when O<sub>3</sub> analyser and SMPS are not connected.

The degradation of peroxy-pinic acid in  $\alpha$ -pinene SOA was investigated by subsequently collecting SOA on four filters under dry conditions. After collection of the final filter sample, the filters were cut into quarters and divided into four identical composite samples, each containing one-quarter of each filter. The first composite sample was extracted immediately, following the same procedure as previously described. The three additional composite samples were extracted after being stored in their filter boxes at room temperature and under protection from UV radiation for up to 70 h to simulate typical field sampling conditions. All extracts were analysed by HPLC-MS/MS multiple (2–5) times.

### 2.3 HPLC-MS/MS analysis

All samples were analysed via HPLC-ESI-MS/MS. An Accela system (Thermo Scientific, San Jose, USA) equipped with a T3 Atlantis C18 column (3  $\mu$ m; 3.0  $\times$  150 mm; Waters, Milford, USA) was used for the chromatographic separation. The detector was a high-resolution LTQ Orbitrap Velos mass spectrometer (Thermo Scientific, Bremen, Germany) with a heated electrospray ionisation (HESI) source. All data were analysed with Thermo Xcalibur 2.2.

For analysis of the synthesised standard, 10  $\mu$ L of the product mixture was diluted with 1 mL of an 80 : 20 water : acetonitrile mixture. For the flow tube experiments, filters were extracted according to the procedure described in the previous section and measured without further sample processing.

Pinic acid and its synthesised peroxy acids were separated using gradient elution at a flow rate of 200  $\mu$ L min<sup>-1</sup>. The

mobile phase was composed of a mixture of 0.1 % formic acid in water (solvent A) and acetonitrile (solvent B). The initial concentration of 20 % B was kept constant for 2 min and then increased to 23 % over the course of 20 min. Thereafter, it was further increased to 90 % within the next 6 min. Over the next 5 min, it was then decreased back to 20 % and subsequently kept at this concentration for an additional 10 min, resulting in a total analysis time of 43 min.

The mass spectrometer was calibrated using Pierce<sup>®</sup> ESI Negative Ion Calibration Solution (Thermo Scientific, Rockford, USA). All samples were analysed in negative ionisation mode, using the following source parameters: spray voltage of -3.3 kV, source heater temperature of 250 °C, capillary temperature of 275 °C, sheath gas flow of 40 arbitrary units, auxiliary gas flow of 10 arbitrary units, no sweep gas flow and S-lens radio frequency level of 70 %. Mass spectra were collected in full scan mode over a mass range of  $m/z$  100–650, using the lock mass of the deprotonated dimer of formic acid at  $m/z$  91.0037 and a resolution of 100 000 at  $m/z$  400. For the majority of measurements, alternating MS/MS scans were performed using a global mass list including the masses of deprotonated pinic, monoperoxy-pinic and diperoxy-pinic acid as well as deprotonated camphoric acid, which was used as an internal standard in the flow tube experiments. The MS/MS scans were performed with a resolution of 60 000, an isolation width of 4 mass units and a mass range that was  $m/z$  50–220 for pinic acid and its derivatives and 50–210 for camphoric acid. The collision energy level was 27 % for pinic acid and its derivatives and 22 % for camphoric acid. A few additional runs were performed with isolation width 1.5, leading to a strongly reduced signal of monoperoxy-pinic acid

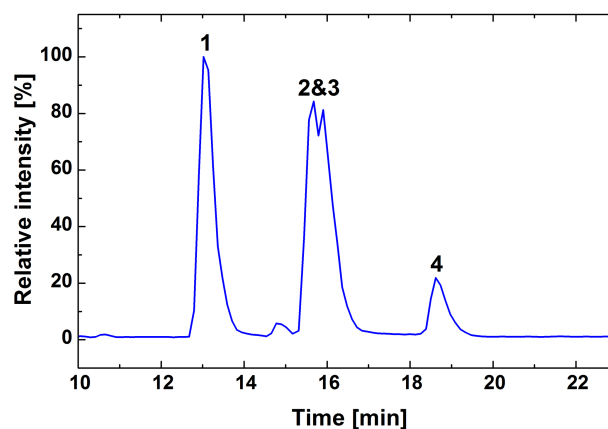
isomer I. For investigation of the monoperoxyacid dimeric adduct, alternating MS<sup>3</sup> scans were performed instead with the mass of the deprotonated monoperoxy-pinic acids selected for the second fragmentation. In this case, the collision energy level was 27 % for both fragmentation steps, the resolution was 60 000, the mass range was  $m/z$  55–410, and the isolation width was 4 mass units for the first fragmentation and 2.5 mass units for the second one. In all cases, collision-induced dissociation (CID) was used to induce fragmentation.

## 2.4 Evaluation of MS/MS spectra

Elemental compositions were assigned with a mass tolerance of 6 ppm, including only the elements carbon, oxygen and hydrogen. The list of MS/MS fragments contains all  $m/z$  values smaller than the precursor ion that have a relative abundance above the chosen threshold of >1 %. The same procedure was repeated with a background subtracted version of the spectrum. The final list of product ions is based on the background subtracted mass list, but additionally excludes  $m/z$  values that did not have an assigned elemental composition, which could be dismissed as product ions based on their assigned elemental composition or whose extracted ion chromatogram showed a poor overlap with the base peak chromatogram of the MS/MS measurement. While product ions and their relative abundances were selected based on the background subtracted mass list, the masses themselves were taken from the raw data as they showed higher mass accuracy. Since the chromatographic peaks of the two monoperoxy acids overlap (Fig. 3), special care was taken to separate the two spectra. Only the third of the chromatographic peaks furthest removed from their neighbour was used for the evaluation. In addition to the monomers, there were also dimeric adducts of monoperoxy-pinic acid detected at the same chromatographic peaks. Since they have the same retention time as the monomers, these compounds are ESI artefacts and not actually present in the sample. MS<sup>3</sup> spectra were taken for the mass of the dimeric monoperoxy-pinic acid adduct ( $m/z$  403.16159), which is more prominent for isomer I. The resulting MS<sup>3</sup> spectrum of the dimeric adduct from the isomer I peak shows the same product ions as the MS/MS spectrum of the monomer, but with lower abundances for those common to the two isomers. It was therefore taken to be closer to the pure spectrum of isomer I and used to characterise MS/MS fragmentations of that compound. Similarly, initial MS/MS conditions lead to low isolation efficiency of the deprotonated molecule of isomer I so that the MS/MS spectrum for isomer II was not significantly influenced by isomer I.

## 2.5 Data analysis of flow tube measurements

To investigate the presence of peroxy-pinic acid in the samples, extracted ion chromatograms of the peracid main product ions were selected. If a peak was found at the appropriate



**Figure 3.** Base peak chromatogram of the synthesised mixture for mass range  $m/z$  100–650, showing the separation of pinic acid (1), monoperoxy-pinic acid isomers I and II (2, 3), and diperoxy-pinic acid (4).

retention time, its MS/MS spectrum was compared to that of the corresponding standard. The integrated peak of the extracted ion chromatogram of  $m/z$  183.06 was used to determine the relative yield of monoperoxy-pinic acid isomer II. It was normalised to the peak area of the main product ion of camphoric acid,  $m/z$  155.10, and to the mass loading of the filter.

## 3 Results and discussion

### 3.1 Liquid chromatography separation of the synthesised standards

The chromatogram shows that pinic acid and its peroxy acid derivatives, synthesised as described above, elute from the HPLC column in order of decreasing polarity, with pinic acid eluting first, followed by the two monoperoxy-pinic acids and finally diperoxy-pinic acid (Fig. 3). While the acid and diperoxy acid are clearly separated from the monoperoxy acids, the two monoperoxy-pinic acids strongly overlap due to similar polarities. Peaks were assigned based on deprotonated analyte ions ( $[M - H]^-$ ), as well as the occurrence of different product ions for the two monoperoxy-pinic acid isomers.

### 3.2 Mass spectrometry of pinic acid and the synthesised standards

All four analytes were detected as deprotonated molecules, i.e.  $[M - H]^-$  ions (Fig. S18). In the case of pinic acid and the two monoperoxy-pinic isomers, the deprotonated molecule is dominant in the chromatographic peak. In contrast, the mass spectrum of diperoxy-pinic acid was dominated by  $[M - H]^-$  ions of pinic and monoperoxy-pinic acid, which were about an order of magnitude more abundant than that of diperoxy-pinic acid. As described in previous papers

(Harman et al., 2006; Steimer et al., 2017), this likely indicates electrochemical reduction of the analyte (i.e. diperoxydicarboxylic acid) in the ion source. The pinic acid  $[M - H]^-$  ion was also present in the monoperoxydicarboxylic acid spectra, although it was about an order of magnitude less abundant than that of monoperoxydicarboxylic acid, which follows the trend of less efficient electroreduction of monoperoxy vs. diperoxy acids reported in our previous paper (Steimer et al., 2017). Tandem mass spectrometry was performed on all four analyte  $[M - H]^-$  ions, the results of which are summarised in Table 1. A graphic presentation of the MS/MS data can be found in Fig. S19. The product ions observed for pinic acid are in line with results from previous studies (Glasius et al., 1999; Yasmeen et al., 2011), where loss of  $\text{CO}_2$  was observed as the main fragmentation process.

All neutral losses observed for pinic acid also occurred for both of the monoperoxydicarboxylic acid isomers. However, as previously observed for aliphatic peroxy acids, there are additional loss processes present compared to the acid (Steimer et al., 2017), four of which are shared between the two isomers. Two of the resulting fragment ion types,  $[M - \text{CH}_2\text{O}_2]^-$  and  $[M - \text{CH}_4\text{O}_4]^-$ , were observed in our previous study for linear monoperoxydicarboxylic acids, while  $[M - \text{C}_2\text{H}_2\text{O}_4]^-$  was also observed for the only measured cyclic monoperoxydicarboxylic acid (monoperoxydicarboxylic acid) and  $[M - \text{C}_2\text{H}_2\text{O}_3]^-$  was not detected for any of the peroxy acids investigated in our previous study (Steimer et al., 2017).

The MS/MS spectra of the two isomers can be easily distinguished. While the main difference lies in the relative abundances of the various product ions, the spectrum of isomer I also shows several product ions not present for isomer II. Using this information, it was possible to determine that the electroreduction of diperoxydicarboxylic acid in the ion source predominantly leads to formation of isomer II. Based on the available literature (Szmigielski et al., 2006; Yasmeen et al., 2010, 2011), we suggest potential fragmentation pathways for the two isomers (Fig. S20). This allows the tentative assignment of isomer I and II as the monoperoxy dicarboxylic acid isomer with a methyl peroxydicarboxyl substituent and a peroxydicarboxyl substituent, respectively.

The diperoxydicarboxylic acid spectrum is dominated by loss of  $\text{CHO}_3$ , a process which was also observed for monoperoxydicarboxylic acid and monoperoxydicarboxylic acid isomer I. Two other relatively abundant neutral losses are peracid-specific fragments:  $\text{H}_2\text{O}_2$ , which was previously also observed in linear diperoxy acids, and  $\text{C}_2\text{H}_2\text{O}_5$ , which gives a minor contribution to the spectrum of monoperoxydicarboxylic acid isomer I.

In summary, the three peroxy acids synthesised here showed unique trends in fragmentation patterns for mono- and diperoxy acids, respectively. Some of these fragmentations were also observed for the 15 peroxy acids we characterised earlier (Steimer et al., 2017). The consistent fragmentation patterns of peroxy acids suggests that they might be suitable to identify unknown peroxy acids in SOA, e.g. as HOMs or ROS markers.

### 3.3 Flow tube experiments

The formation of peroxydicarboxylic acids in SOA formed through ozonolysis of  $\alpha$ -pinene was investigated using the flow tube set-up detailed above. The MS/MS spectra of the filter extracts showed the presence of both monoperoxydicarboxylic acid isomers (both suggested to form during  $\alpha$ -pinene ozonolysis, Docherty et al., 2005; Reinnig et al., 2009), while there was no evidence of diperoxydicarboxylic acid formation. While both monoperoxydicarboxylic acid isomers were formed during  $\alpha$ -pinene oxidation, the peak of isomer I was often too small for reliable integration, so that only isomer II was chosen for the following quantitative analyses. Even though isomer II could be reliably detected, it is only a minor product of the  $\alpha$ -pinene oxidation, with about 1 / 5500 the peak area of pinic acid.

#### 3.3.1 Humid vs. dry conditions

The relative yields of monoperoxydicarboxylic acid under dry and humid ozonolysis conditions were investigated experimentally and via the AtChem box model (<https://atchem.leeds.ac.uk>, last access: 6 March 2018). The complete reaction scheme for the degradation of  $\alpha$ -pinene was extracted from the MCM v3.3.1 (Jenkin et al., 1997; Saunders et al., 2003) via the MCM website (<http://mcm.leeds.ac.uk/MCM>, last access: 6 March 2018). Gas-phase-only simulations were performed for dark ozonolysis with  $[\alpha\text{-pinene}]_0 = 300$  ppm and  $[\text{O}_3]_0 = 20$  ppm. It is known that the gas-phase formation of peroxy acids can proceed via  $\text{HO}_2$  chemistry, without direct involvement of  $\text{H}_2\text{O}$  (Docherty et al., 2005; Eddingsaas et al., 2012). The calculated yield of monoperoxydicarboxylic acid per  $\text{O}_3$  molecule was  $\sim 6 \times 10^{-5}$  ( $\sim 1.2$  ppb) under dry conditions and was insensitive to RH (0–100%) and initial precursor concentrations (1–300 ppm). This confirms the unimportant role for water vapour in the gas-phase formation of monoperoxydicarboxylic acid not only as a reactant, but also in terms of indirect effects on, for example, the concentrations of precursor species such as Criegee intermediates. The yield of monoperoxydicarboxylic acid was  $\sim 1 / 500$  that of pinic acid in the simulations, compared to the experimental estimate above ( $\sim 1 / 5500$ ).

In the condensed phase, however, the formation of peracids from the carboxylic acid is reversible, with the presence of liquid water shifting the equilibrium towards the acid (d'Ans and Frey, 1912; Parker et al., 1955). Increased humidity, leading to an increased fraction of water in the particle phase, could therefore lead to less peroxydicarboxylic acid in  $\alpha$ -pinene ozonolysis SOA. We proceeded with experiments to investigate whether humidity-dependent gas-particle partitioning and/or condensed-phase reactions, not accounted for in the model, could influence peroxy acid yields.

The relative yield of monoperoxydicarboxylic acid isomer II in SOA was compared under dry ( $\leq 3\%$  RH) and humid ( $\sim 85\%$  RH) conditions. The results of the comparison are shown in Fig. 4. Within the current limits of uncertainty, no

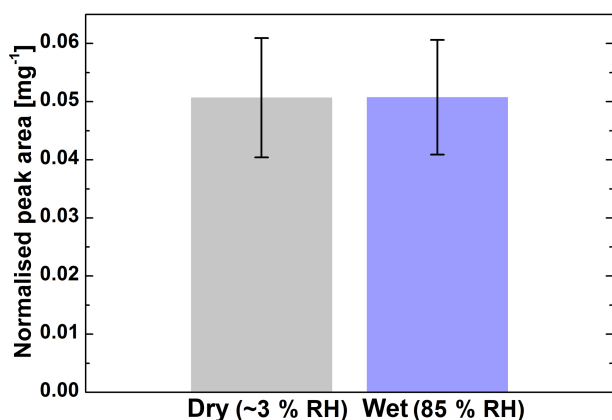
**Table 1.** MS/MS fragmentations of  $[M - H]^-$  ions from pinic acid and its peroxyacid analogues.

| Compound                       | Deprotonated molecule $[M - H]^-$            | $m/z$ ( $\Delta$ ppm) | Product ion $m/z$ (rel. abund.)* | Neutral loss(es)                              |
|--------------------------------|--|-----------------------|----------------------------------|---|
| Pinic acid                     | $C_9H_{13}O_4^-$                             | 185.08193 (-0.002)    | 141.09194 (100)                  | CO <sub>2</sub>                               |
|                                |  |                       | 167.07127 (16)                   | H <sub>2</sub> O                              |
|                                |  |                       | 123.08155 (4)                    | CH <sub>2</sub> O <sub>3</sub>                |
|                                |  |                       |                                  |   |
| Monoperoxy-pinic acid isomer I | $C_9H_{13}O_5^-$                             | 201.07706 (1.060)     | 111.08149 (100)                  | C <sub>2</sub> H <sub>2</sub> O <sub>4</sub>  |
|                                |  |                       | 155.07127 (38)                   | CH <sub>2</sub> O <sub>2</sub>                |
|                                |  |                       | 139.07639 (37)                   | CH <sub>2</sub> O <sub>3</sub>                |
|                                |  |                       | 140.08423 (10)                   | CHO <sub>3</sub>                              |
|                                |  |                       | 157.08694 (8)                    | CO <sub>2</sub>                               |
|                                |  |                       | 183.06619 (8)                    | H <sub>2</sub> O                              |
|                                |  |                       | 127.07643 (5)                    | C <sub>2</sub> H <sub>2</sub> O <sub>3</sub>  |
|                                |  |                       | 84.02166 (3)                     | C <sub>5</sub> H <sub>9</sub> O <sub>3</sub>  |
|                                |  |                       | 115.00367 (3)                    | C <sub>5</sub> H <sub>10</sub> O              |
|                                |  |                       | 129.05568 (3)                    | C <sub>3</sub> H <sub>4</sub> O <sub>2</sub>  |
|                                |  |                       | 99.04513 (2)                     | C <sub>4</sub> H <sub>6</sub> O <sub>3</sub>  |
|                                |  |                       | 111.04514 (2)                    | C <sub>3</sub> H <sub>6</sub> O <sub>3</sub>  |
|                                |  |                       | 121.06583 (2)                    | CH <sub>4</sub> O <sub>4</sub>                |
|                                |  |                       | 184.07401 (1)                    | OH  |
|                                |  |                       | 95.08662 (1)                     | C <sub>2</sub> H <sub>2</sub> O <sub>5</sub>  |
|                                |  |                       | Monoperoxy-pinic acid isomer II  | $C_9H_{13}O_5^-$                              |
| 157.08678 (35)                 | CO <sub>2</sub>                              |                       |                                  |   |
| 139.07625 (31)                 | CH <sub>2</sub> O <sub>3</sub>               |                       |                                  |   |
| 155.07116 (10)                 | CH <sub>2</sub> O <sub>2</sub>               |                       |                                  |   |
| 111.08142 (5)                  | C <sub>2</sub> H <sub>2</sub> O <sub>4</sub> |                       |                                  |   |
| 127.07635 (2)                  | C <sub>2</sub> H <sub>2</sub> O <sub>3</sub> |                       |                                  |   |
| 121.06577 (2)                  | CH <sub>4</sub> O <sub>4</sub>               |                       |                                  |   |
| Diperoxy-pinic acid            | $C_9H_{13}O_6^-$                             | 217.07232 (2.573)     | 156.07910 (100)                  | CHO <sub>3</sub>                              |
|                                |  |                       | 155.07132 (16)                   | CH <sub>2</sub> O <sub>3</sub>                |
|                                |  |                       | 111.08152 (13)                   | C <sub>2</sub> H <sub>2</sub> O <sub>5</sub>  |
|                                |  |                       | 183.06628 (7)                    | H <sub>2</sub> O <sub>2</sub>                 |
|                                |  |                       | 171.06625 (3)                    | CH <sub>2</sub> O <sub>2</sub>                |
|                                |  |                       | 173.08189 (2)                    | CO <sub>2</sub>                               |
|                                |  |                       | 199.06122 (1)                    | H <sub>2</sub> O                              |
|                                |  |                       | 74.00093 (1)                     | C <sub>7</sub> H <sub>11</sub> O <sub>3</sub> |
| 127.07646 (1)                  | C <sub>2</sub> H <sub>2</sub> O <sub>4</sub> |                       |                                  |   |

\* Average of three MS/MS spectra, with exception of monoperoxy-pinic acid isomer I (average of two MS<sup>3</sup> spectra; see Sect. 2.4 for discussion).

difference in monoperoxy-pinic acid production was found for the two reaction conditions. This indicates that hydrolysis of monoperoxy-pinic acid is not a significant loss process under the studied conditions (i.e. reactant concentrations and reaction time). Available studies of the hydrolysis of peracetic acid show that its hydrolysis kinetics strongly depend on the reaction conditions, such as temperature and pH (Dul'neva and Moskvin, 2005; Yuan et al., 1997), leading to large variations in decomposition rates. The fact that the peroxy-pinic acid yield per SOA mass does not depend on humidity agrees with observations made by Docherty et al. (2005), who found no dependence of the organic perox-

ide yield per SOA mass on humidity. Previous studies of the humidity dependence of individual peroxy compounds were focused on small molecules predominantly residing in the gas phase (e.g. Hasson et al., 2001; Huang et al., 2013) and are therefore not directly comparable with our results. However, the fact that different correlations with humidity were found for different peroxy compounds demonstrates the need for investigation of individual compounds. The main factors limiting precision of our measurement are low signal intensity, uncertainty of the measurement of filter mass loading and peroxy-pinic acid degradation on the filter, as described in the following section.

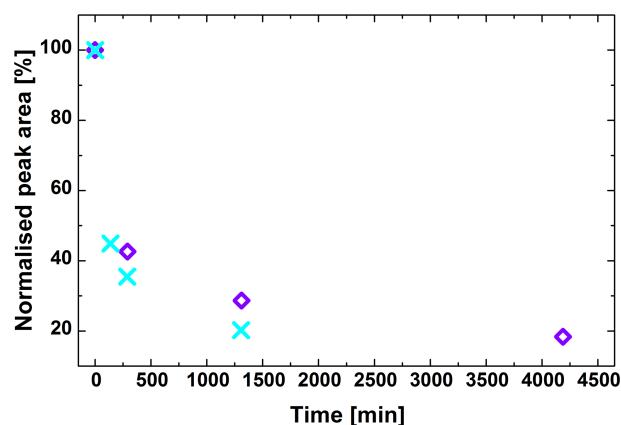


**Figure 4.** Monoperoxydic acid isomer II as a product of  $\alpha$ -pinene oxidation under dry and humid conditions; error bars show the standard deviation between repeat measurements. The peak area was normalised to the peak area of the internal standard and the aerosol mass on the filter.

### 3.3.2 Peroxy acid degradation over time

We investigated the stability of monoperoxydic acid isomer II in SOA over time when the filter was stored at room temperature after collection. In many studies that characterise SOA composition in detail at a molecular level, filter samples, especially from field campaigns, are collected many hours to days or weeks before analysis. While these samples are usually kept at low temperatures for long-term storage, they are collected at room temperature, which can take longer than 24 h, and there is often a significant delay between sampling and storage. For thermally unstable compounds such as peroxides and peroxy acids, this might result in decomposition prior to analysis and thus risks underestimating the abundance of such compounds.

Monitoring of the amount of peroxy acid on the collected filters over almost 3 days clearly shows that this compound degrades significantly (Fig. 5). About 60 % of monoperoxydic acid is lost within the first 5 h. Given that the measured samples were composites of four subsequently collected filters, the average age of the SOA sample before extraction is ca. 100 min. Therefore, a significant amount of monoperoxydic acid will already have been lost at the time of analysis. Repeated measurements of the extracts over 22 h showed that there is also a change in concentration over time in the liquid phase, although this change is significantly less pronounced, with a maximum difference of a factor of 2 to the initial measurement. We therefore attempted to measure all extracts as soon as possible after extraction, using the same number of repeats. This was not always possible for the experiment shown as blue–purple diamonds in Fig. 5, contributing to the uncertainty of the results.



**Figure 5.** Degradation of monoperoxydic acid isomer II on the filter, illustrating its short lifetime of only a few hours. Diamonds and crosses represent two different repeats of the degradation experiment.

## 4 Conclusions

In this study, we successfully synthesised three peroxydic acids and showed that they can be distinguished from each other and the analogous carboxylic acid via their retention times in HPLC-MS and their specific MS/MS spectra. This technique can therefore be used to identify peroxydic acids in SOA samples. We have shown that one of the peroxydic acids, monoperoxydic acid isomer II, was present in laboratory-generated  $\alpha$ -pinene SOA. There was no observed effect of humidity on the production of monoperoxydic acid from  $\alpha$ -pinene, i.e. the reaction times in our flow tube set-up were possibly too short to observe any potential decay due to hydrolysis. It was shown that monoperoxydic acid quickly degrades, with about 60 % lost within the first 5 h. This demonstrates that filters need to be analysed as soon as possible after collection to avoid serious underestimation for such compounds, which presents a major problem particularly during field campaigns, where such immediate analysis is often not feasible. Ideally online techniques would need to be developed to quantify such unstable compounds in atmospheric aerosols.

*Data availability.* Data presented in this study can be obtained by contacting the corresponding authors.

**The Supplement related to this article is available online at <https://doi.org/10.5194/acp-18-10973-2018-supplement>.**

*Author contributions.* SSS and MK designed the study. SSS, AD, SJC, PJG, PG, DJH, DP, TH and MC participated in the experiments and/or in data interpretation. SSS wrote the manuscript. All authors reviewed and commented on the paper.



*Competing interests.* The authors declare that they have no conflict of interest.

*Acknowledgements.* Sarah S. Steimer acknowledges funding support from the Swiss National Science Foundation (project no. 162258). Funding by the European Research Council (ERC starting grant 279405) and the European Union's Horizon 2020 research and innovation programme through the EUROCHAMP-2020 Infrastructure Activity under grant agreement no. 730997 is acknowledged.

Edited by: Jason Surratt

Reviewed by: three anonymous referees

## References

- Arashiro, M., Lin, Y.-H., Zhang, Z., Sexton, K. G., Gold, A., Jaspers, I., Fry, R. C. and Surratt, J. D.: Effect of secondary organic aerosol from isoprene-derived hydroxyhydroperoxides on the expression of oxidative stress response genes in human bronchial epithelial cells, *Environ. Sci. Process. Impacts*, 20, 332–339, <https://doi.org/10.1039/C7EM00439G>, 2018.
- Brunekreef, B. and Holgate, S. T.: Air pollution and health, *Lancet*, 360, 1233–1242, [https://doi.org/10.1016/S0140-6736\(02\)11274-8](https://doi.org/10.1016/S0140-6736(02)11274-8), 2002.
- Cairns, G. T., Diaz, R. R., Selby, K., and Waddington, D. J.: Determination of organic peroxyacids and hydroperoxides by gas chromatography, *J. Chromatogr. A*, 103, 381–384, [https://doi.org/10.1016/S0021-9673\(00\)87232-5](https://doi.org/10.1016/S0021-9673(00)87232-5), 1975.
- d'Ans, J. and Frey, W.: Direkte Darstellung organischer Persäuren, *Ber. Dtsch. Chem. Ges.*, 45, 1845–1853, <https://doi.org/10.1002/cber.19120450259>, 1912.
- Davies, D. M. and Deary, M. E.: Determination of peracids in the presence of a large excess of hydrogen peroxide using a rapid and convenient spectrophotometric method, *Analyst*, 113, 1477–1479, <https://doi.org/10.1039/AN9881301477>, 1988.
- Dellinger, B., Pryor, W. A., Cueto, R., Squadrito, G. L., Hegde, V., and Deutsch, W. A.: Role of Free Radicals in the Toxicity of Airborne Fine Particulate Matter, *Chem. Res. Toxicol.*, 14, 1371–1377, <https://doi.org/10.1021/tx010050x>, 2001.
- Docherty, K. S., Wu, W., Lim, Y. Bin, and Ziemann, P. J.: Contributions of organic peroxides to secondary aerosol formed from reactions of monoterpenes with O<sub>3</sub>, *Environ. Sci. Technol.*, 39, 4049–4059, <https://doi.org/10.1021/es050228s>, 2005.
- Dockery, D. W., Pope, C. A., Xu, X., Spengler, J. D., Ware, J. H., Fay, M. E., Ferris, B. G., and Speizer, F. E.: An Association between Air Pollution and Mortality in Six U.S. Cities, *New Engl. J. Med.*, 329, 1753–1759, <https://doi.org/10.1056/NEJM199312093292401>, 1993.
- Dul'neva, L. V and Moskvina, A. V: Kinetics of Formation of Peroxyacetic Acid, *Russ. J. Gen. Chem.*, 75, 1125–1130, <https://doi.org/10.1007/s11176-005-0378-8>, 2005.
- Eddingsaas, N. C., Loza, C. L., Yee, L. D., Seinfeld, J. H., and Wennberg, P. O.:  $\alpha$ -pinene photooxidation under controlled chemical conditions – Part 1: Gas-phase composition in low- and high-NO<sub>x</sub> environments, *Atmos. Chem. Phys.*, 12, 6489–6504, <https://doi.org/10.5194/acp-12-6489-2012>, 2012.
- Effkemann, S., Pinkernell, U., Neumüller, R., Schwan, F., Engelhardt, H., and Karst, U.: Liquid Chromatographic Simultaneous Determination of Peroxycarboxylic Acids Using Postcolumn Derivatization, *Anal. Chem.*, 70, 3857–3862, <https://doi.org/10.1021/ac980256b>, 1998.
- Ehn, M., Thornton, J. A., Kleist, E., Sipilä, M., Junninen, H., Pullinen, I., Springer, M., Rubach, F., Tillmann, R., Lee, B., Lopez-Hilfiker, F., Andres, S., Acir, I.-H., Rissanen, M., Jokinen, T., Schobesberger, S., Kangasluoma, J., Kontkanen, J., Nieminen, T., Kurtén, T., Nielsen, L. B., Jørgensen, S., Kjaergaard, H. G., Canagaratna, M., Maso, M. D., Berndt, T., Petäjä, T., Wahner, A., Kerminen, V.-M., Kulmala, M., Worsnop, D. R., Wildt, J., and Mentel, T. F.: A large source of low-volatility secondary organic aerosol, *Nature*, 506, 476–479, <https://doi.org/10.1038/nature13032>, 2014.
- Giorio, C., Campbell, S. J., Bruschi, M., Tampieri, F., Barbon, A., Toffoletti, A., Tapparo, A., Paijens, C., Wedlake, A. J., Grice, P., Howe, D. J., and Kalberer, M.: Online Quantification of Criegee Intermediates of  $\alpha$ -Pinene Ozonolysis by Stabilization with Spin Traps and Proton-Transfer Reaction Mass Spectrometry Detection, *J. Am. Chem. Soc.*, 139, 3999–4008, <https://doi.org/10.1021/jacs.6b10981>, 2017.
- Glasius, M., Duane, M., and Larsen, B. R.: Determination of polar terpene oxidation products in aerosols by liquid chromatography–ion trap mass spectrometry, *J. Chromatogr. A*, 833, 121–135, [https://doi.org/10.1016/S0021-9673\(98\)01042-5](https://doi.org/10.1016/S0021-9673(98)01042-5), 1999.
- Greenspan, F. P. and MacKellar, D. G.: Analysis of Aliphatic Per Acids, *Anal. Chem.*, 20, 1061–1063, <https://doi.org/10.1021/ac60023a020>, 1948.
- Harman, D. G., Ramachandran, A., Gracianin, M., and Blanksby, S. J.: The Loss of Carbon Dioxide from Activated Perbenzoate Anions in the Gas Phase: Unimolecular Rearrangement via Epoxidation of the Benzene Ring, *J. Org. Chem.*, 71, 7996–8005, <https://doi.org/10.1021/jo060730a>, 2006.
- Hasson, A. S., Orzechowska, G., and Paulson, S. E.: Production of stabilized Criegee intermediates and peroxides in the gas phase ozonolysis of alkenes: 1. Ethene, trans-2-butene, and 2,3-dimethyl-2-butene, *J. Geophys. Res.-Atmos.*, 106, 34131–34142, <https://doi.org/10.1029/2001JD000597>, 2001.
- Hoek, G., Krishnan, R. M., Beelen, R., Peters, A., Ostro, B., Brunekreef, B., and Kaufman, J. D.: Long-term air pollution exposure and cardio-respiratory mortality: a review, *Environ. Heal.*, 12, 43, <https://doi.org/10.1186/1476-069X-12-43>, 2013.
- Holah, J. T., Higgs, C., Robinson, S., Worthington, D., and Spenceley, H.: A conductance-based surface disinfection test for food hygiene, *Lett. Appl. Microbiol.*, 11, 255–259, <https://doi.org/10.1111/j.1472-765X.1990.tb00175.x>, 1990.
- Huang, D., Chen, Z. M., Zhao, Y., and Liang, H.: Newly observed peroxides and the water effect on the formation and removal of hydroxyalkyl hydroperoxides in the ozonolysis of isoprene, *Atmos. Chem. Phys.*, 13, 5671–5683, <https://doi.org/10.5194/acp-13-5671-2013>, 2013.
- Jenkin, M. E., Saunders, S. M., and Pilling, M. J.: The tropospheric degradation of volatile organic compounds: a protocol for mechanism development, *Atmos. Environ.*, 31, 81–104, [https://doi.org/10.1016/S1352-2310\(96\)00105-7](https://doi.org/10.1016/S1352-2310(96)00105-7), 1997.
- Jiang, H., Jang, M., and Yu, Z.: Dithiothreitol activity by particulate oxidizers of SOA produced from photooxidation of hydrocar-

- bons under varied NO<sub>x</sub> levels, *Atmos. Chem. Phys.*, 17, 9965–9977, <https://doi.org/10.5194/acp-17-9965-2017>, 2017.
- Kirk, O., Damhus, T., and Würtz Christensen, M.: Determination of peroxydic acids by high-performance liquid chromatography with electrochemical detection, *J. Chromatogr. A*, 606, 49–53, [https://doi.org/10.1016/0021-9673\(92\)85256-S](https://doi.org/10.1016/0021-9673(92)85256-S), 1992.
- Li, N., Sioutas, C., Cho, A., Schmitz, D., Misra, C., Sempf, J., Wang, M., Oberley, T., Froines, J., and Nel, A.: Ultrafine particulate pollutants induce oxidative stress and mitochondrial damage, *Environ. Health Persp.*, 111, 455–460, <https://doi.org/10.1289/ehp.6000>, 2003.
- Luukkonen, T. and Pehkonen, S. O.: Peracids in water treatment: A critical review, *Crit. Rev. Env. Sci. Tec.*, 47, 1–39, <https://doi.org/10.1080/10643389.2016.1272343>, 2017.
- Mentel, T. F., Springer, M., Ehn, M., Kleist, E., Pullinen, I., Kurtén, T., Rissanen, M., Wahner, A., and Wildt, J.: Formation of highly oxidized multifunctional compounds: autoxidation of peroxy radicals formed in the ozonolysis of alkenes – deduced from structure-product relationships, *Atmos. Chem. Phys.*, 15, 6745–6765, <https://doi.org/10.5194/acp-15-6745-2015>, 2015.
- Milne, N. J.: Oxygen bleaching systems in domestic laundry, *J. Surfactants Deterg.*, 1, 253–261, <https://doi.org/10.1007/s11743-998-0029-z>, 1998.
- Mogliani, A. G., García-Expósito, E., Aguado, G. P., Parrella, T., Branchadell, V., Moltrasio, G. Y., and Ortuño, R. M.: Divergent Routes to Chiral Cyclobutane Synthons from (–)- $\alpha$ -Pinene and Their Use in the Stereoselective Synthesis of Dehydro Amino Acids, *J. Org. Chem.*, 65, 3934–3940, <https://doi.org/10.1021/jo991773c>, 2000.
- Mutzel, A., Poulain, L., Berndt, T., Iinuma, Y., Rodigast, M., Böge, O., Richters, S., Spindler, G., Sipilä, M., Jokinen, T., Kulmala, M., and Herrmann, H.: Highly Oxidized Multifunctional Organic Compounds Observed in Tropospheric Particles: A Field and Laboratory Study, *Environ. Sci. Technol.*, 49, 7754–7761, <https://doi.org/10.1021/acs.est.5b00885>, 2015.
- Nel, A.: Air Pollution-Related Illness: Effects of Particles, *Science*, 308, 804–806, 2005.
- Parker, W. E., Ricciuti, C., Ogg, C. L., and Swern, D.: Peroxides. II. Preparation, Characterization and Polarographic Behavior of Longchain Aliphatic Peracids, *J. Am. Chem. Soc.*, 77, 4037–4041, <https://doi.org/10.1021/ja01620a023>, 1955.
- Parker, W. E., Witnauer, L. P., and Swern, D.: Peroxides. IV. Aliphatic Diperoacids, *J. Am. Chem. Soc.*, 79, 1929–1931, <https://doi.org/10.1021/ja01565a043>, 1957.
- Ramirez, J. A.: New Technologies in Disinfection and Infection Control, in: *Disinfection and decontamination: Principles, applications and related issues*, edited by: Manivannan, G., CRC press, Boca Raton, USA, 73–86, 2008.
- Reinhardt, G. and Borchers, G.: Application of Bleaching Detergent Formulations, in: *Handbook of detergents, part E: applications*, edited by: Zoller, U., CRC Press, Boca Raton, USA, 141, 375–418, 2009.
- Reinnig, M. C., Warnke, J., and Hoffmann, T.: Identification of organic hydroperoxides and hydroperoxy acids in secondary organic aerosol formed during the ozonolysis of different monoterpenes and sesquiterpenes by on-line analysis using atmospheric pressure chemical ionization ion trap mass spectrometry, *Rapid Commun. Mass Sp.*, 23, 1735–1741, <https://doi.org/10.1002/rcm.4065>, 2009.
- Rissanen, M. P., Kurtén, T., Sipilä, M., Thornton, J. A., Kangasluoma, J., Sarnela, N., Junninen, H., Jørgensen, S., Schallhart, S., Kajos, M. K., Taipale, R., Springer, M., Mentel, T. F., Ruuskanen, T., Petäjä, T., Worsnop, D. R., Kjaergaard, H. G., and Ehn, M.: The Formation of Highly Oxidized Multifunctional Products in the Ozonolysis of Cyclohexene, *J. Am. Chem. Soc.*, 136, 15596–15606, <https://doi.org/10.1021/ja507146s>, 2014.
- Rissanen, M. P., Kurtén, T., Sipilä, M., Thornton, J. A., Kausiala, O., Garmash, O., Kjaergaard, H. G., Petäjä, T., Worsnop, D. R., Ehn, M., and Kulmala, M.: Effects of chemical complexity on the autoxidation mechanisms of endocyclic alkene ozonolysis products: From methylcyclohexenes toward understanding  $\alpha$ -pinene, *J. Phys. Chem. A*, 119, 4633–4650, <https://doi.org/10.1021/jp510966g>, 2015.
- Saunders, S. M., Jenkin, M. E., Derwent, R. G., and Pilling, M. J.: Protocol for the development of the Master Chemical Mechanism, MCM v3 (Part A): tropospheric degradation of non-aromatic volatile organic compounds, *Atmos. Chem. Phys.*, 3, 161–180, <https://doi.org/10.5194/acp-3-161-2003>, 2003.
- Steimer, S. S., Kourtchev, I., and Kalberer, M.: Mass spectrometry characterization of peroxydic acids as proxies for reactive oxygen species and highly oxygenated molecules in atmospheric aerosols, *Anal. Chem.*, 89, 2873–2879, <https://doi.org/10.1021/acs.analchem.6b04127>, 2017.
- Szmigielski, R., Surratt, J. D., Vermeylen, R., Szmigielska, K., Kroll, J. H., Ng, N. L., Murphy, S. M., Sorooshian, A., Seinfeld, J. H., and Claeys, M.: Characterization of 2-methylglyceric acid oligomers in secondary organic aerosol formed from the photooxidation of isoprene using trimethylsilylation and gas chromatography/ion trap mass spectrometry, *J. Mass Spectrom.*, 42, 101–116, <https://doi.org/10.1002/jms.1146>, 2006.
- Tao, F., Gonzalez-Flecha, B., and Kobzik, L.: Reactive oxygen species in pulmonary inflammation by ambient particulates, *Free Radic. Biol. Med.*, 35, 327–340, [https://doi.org/10.1016/S0891-5849\(03\)00280-6](https://doi.org/10.1016/S0891-5849(03)00280-6), 2003.
- Witkowski, B. and Gierczak, T.: Analysis of  $\alpha$ -acyloxyhydroperoxy aldehydes with electrospray ionization-tandem mass spectrometry (ESI-MSn), *J. Mass Spectrom.*, 48, 79–88, <https://doi.org/10.1002/jms.3130>, 2013.
- Yasmeen, F., Vermeylen, R., Szmigielski, R., Iinuma, Y., Böge, O., Herrmann, H., Maenhaut, W., and Claeys, M.: Terpenylic acid and related compounds: precursors for dimers in secondary organic aerosol from the ozonolysis of  $\alpha$ - and  $\beta$ -pinene, *Atmos. Chem. Phys.*, 10, 9383–9392, <https://doi.org/10.5194/acp-10-9383-2010>, 2010.
- Yasmeen, F., Szmigielski, R., Vermeylen, R., Gómez-González, Y., Surratt, J. D., Chan, A. W. H., Seinfeld, J. H., Maenhaut, W., and Claeys, M.: Mass spectrometric characterization of isomeric terpenoic acids from the oxidation of  $\alpha$ -pinene,  $\beta$ -pinene, d-limonene, and  $\Delta^3$ -carene in fine forest aerosol, *J. Mass Spectrom.*, 46, 425–442, <https://doi.org/10.1002/jms.1911>, 2011.
- Yuan, Z., Ni, Y., and Van Heiningen, A. R. P.: Kinetics of the peracetic acid decomposition: Part II: pH effect and alkaline hydrolysis, *Can. J. Chem. Eng.*, 75, 42–47, <https://doi.org/10.1002/cjce.5450750109>, 1997.
- Zhao, R., Kenseth, C. M., Huang, Y., Dalleska, N. F., and Seinfeld, J. H.: Iodometry-Assisted Liquid Chromatography Electrospray Ionization Mass Spectrometry for Analysis of Organic Peroxides: An Application to Atmospheric Secondary

Organic Aerosol, Environ. Sci. Technol., 52, 2108–2117, <https://doi.org/10.1021/acs.est.7b04863>, 2018.

Zhou, S., Rivera-Rios, J. C., Keutsch, F. N., and Abbatt, J. P. D.: Identification of organic hydroperoxides and peroxy acids using atmospheric pressure chemical ionization-tandem mass spectrometry (APCI-MS/MS): application to secondary organic aerosol, Atmos. Meas. Tech., 11, 3081–3089, <https://doi.org/10.5194/amt-11-3081-2018>, 2018.

Ziemann, P. J.: Formation of alkoxyhydroperoxy aldehydes and cyclic peroxyhemiacetals from reactions of cyclic alkenes with O<sub>3</sub> in the presence of alcohols, J. Phys. Chem. A, 107, 2048–2060, <https://doi.org/10.1021/jp022114y>, 2003.